

## BAS40M5

### Schottky Diode

#### FEATURE

- Fast switching devices
- SOD523 Micro SMD package
- RoHS compliant / Green EMC
- Matte Tin (Sn) Lead finish
- Cathode Band / Device marking
- Surface Mount Package Ideally Suited for Automatic Insertion
- For General Purpose Switching Applications
- High Conductance

**MARKING:**     **43**

SOD-523F



Schematic diagram



#### ABSOLUTE MAXIMUM RATINGS (T<sub>a</sub>=25°C unless otherwise noted)

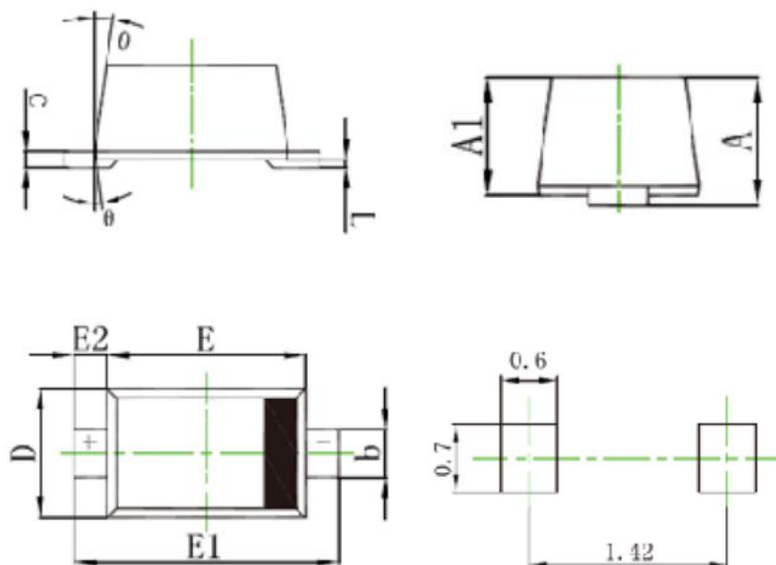
Parameter	Symbol	Value	Unit
Non-Repetitive Peak Reverse Voltage	V <sub>RM</sub>	40	V
Repetitive Peak Reverse Voltage	V <sub>RRM</sub>	40	V
Forward Continuous Current	I <sub>FM</sub>	200	mA
Non-Repetitive Peak Forward Surge Current ( @t=8..3ms )	I <sub>FSM</sub>	500	mA
Power Dissipation	P <sub>D</sub>	200	mW
Junction Temperature	T <sub>J</sub>	125	°C
Storage Temperature	T <sub>STG</sub>	-50 to +125	°C

#### ELECTRICAL CHARACTERISTICS(T<sub>a</sub>=25°C unless otherwise noted)

Parameter	Symbol	Test Condition	Min	Type	Max	Unit
Forward Voltage	V <sub>F</sub>	I <sub>F</sub> = 1mA ,	75		0.38	V
		I <sub>F</sub> = 10mA			0.5	V
		I <sub>F</sub> = 40mA			1.0	V
Reverse current	I <sub>R</sub>	V <sub>R</sub> = 30V (25°C)			0.21	μA
Reverse breakdown voltage	V <sub>BR</sub>	I <sub>R</sub> = 10uA	40			V
Capacitance	C <sub>T</sub>	V <sub>R</sub> = 0V, f = 1MHz			5	pF
Reverse Recovery Time	t <sub>rr</sub>	I <sub>F</sub> = I <sub>R</sub> = 10mA, I <sub>RR</sub> = 1mA, R <sub>L</sub> = 100Ω			5	ns

### SOD-523F Package Information

Device	Package	Shipping	Tape wide	Emboss pitch	Tape specification	Notes
BAS40M5	SOD-523F	Tape & Reel 8000pcs /7" Reel	8 mm	4 mm	Conductive	



Symbol	Dimensions In Millimeters		
	Min	Typ	Max
A	0.51	-	0.77
A1	0.50	-	0.70
b	0.25	-	0.35
c	0.08	-	0.15
D	0.75	-	0.85
E	1.10	-	1.30
E1	1.50	-	1.70
E2	0.20REF.		
L	0.01	-	0.07
θ	7° REF.		

1. Unit mm